



## KR 240 R2900-2 F



### Technical data

|  |                     |
|--|---------------------|
| Maximum reach  | 2900 mm             |
| Maximum payload  | 313 kg              |
| Rated payload  | 240 kg              |
| Rated supplementary load, rotating column / link arm / arm | 0 kg / 0 kg / 50 kg |
| Pose repeatability (ISO 9283)                              | ± 0.05 mm           |
| Number of axes   | 6                   |
| Mounting position  | Floor               |
| Footprint  | 754 mm x 754 mm     |
| Weight   | approx. 1120 kg     |

### Axis data

|                          |                |
|--------------------------|----------------|
| Motion range             |                |
| A1                       | ±185 °         |
| A2                       | -140 ° / -5 °  |
| A3                       | -120 ° / 168 ° |
| A4                       | ±350 °         |
| A5                       | ±122.5 °       |
| A6                       | ±350 °         |
| Speed with rated payload |                |
| A1                       | 103 °/s        |
| A2                       | 94 °/s         |
| A3                       | 100 °/s        |
| A4                       | 170 °/s        |
| A5                       | 129 °/s        |
| A6                       | 206 °/s        |

### Operating conditions

|                                      |                                |
|--------------------------------------|--------------------------------|
| Ambient temperature during operation | 0 °C to 55 °C (273 K to 328 K) |
|--------------------------------------|--------------------------------|

### Protection rating

|  |             |
|--|-------------|
| Protection rating (IEC 60529)                | IP65 / IP67 |
| Protection rating, in-line wrist (IEC 60529) | IP65 / IP67 |

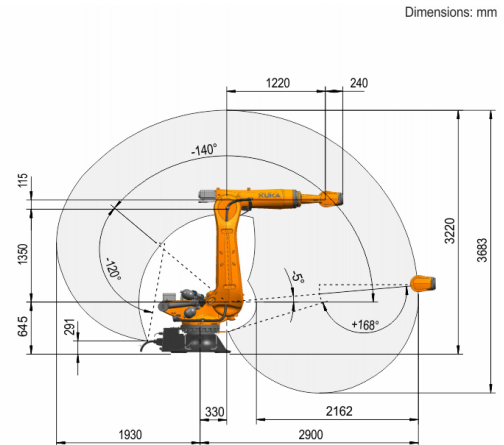
### Controller

|            |       |
|------------|-------|
| Controller | KR C4 |
|------------|-------|

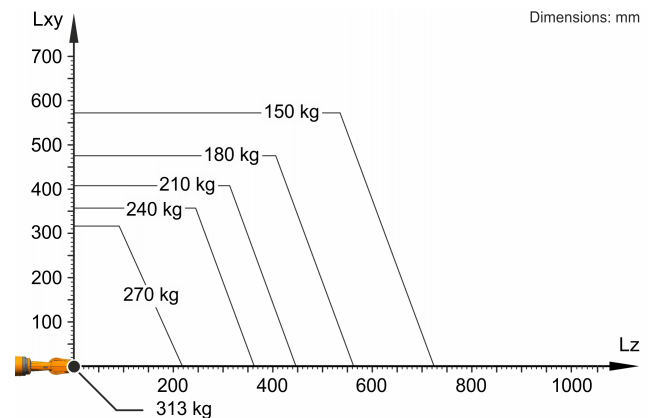
### Teach pendant

|               |                 |
|---------------|-----------------|
| Teach pendant | KUKA smartPAD-2 |
|---------------|-----------------|

### Workspace graphic



### Payload diagram



The KR 240 R2900-2 F is designed for a rated payload of 240 kg in order to optimize the dynamic performance of the robot. With reduced load center distances, higher loads up to the maximum payload may be used. The specific load case must be verified using KUKA.Load. For further consultation, please contact KUKA Support.

### Mounting flange

