



KR 20 R2010 KS-F



Technical data

Maximum reach	2010 mm
Maximum payload	23.9 kg
Rated payload	20 kg
Rated supplementary load, rotating column / link arm / arm	0 kg / 0 kg / 10 kg
Pose repeatability (ISO 9283)	± 0.04 mm
Number of axes	6
Mounting position	Floor
Footprint	440 mm x 370 mm
Weight	approx. 242 kg

Axis data

Motion range	
A1	±125 °
A2	-120 ° / 90 °
A3	-138 ° / 175 °
A4	±350 °
A5	±130 °
A6	±350 °
Speed with rated payload	
A1	200 °/s
A2	175 °/s
A3	190 °/s
A4	430 °/s
A5	430 °/s
A6	630 °/s

Operating conditions

Ambient temperature during operation	5 °C to 45 °C (278 K to 318 K)
--------------------------------------	--------------------------------

Protection rating

Protection rating (IEC 60529)	IP65
Protection rating, in-line wrist (IEC 60529)	IP67

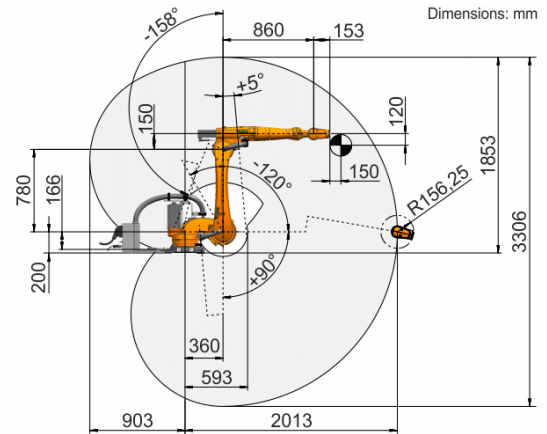
Controller

Controller	KR C4
------------	-------

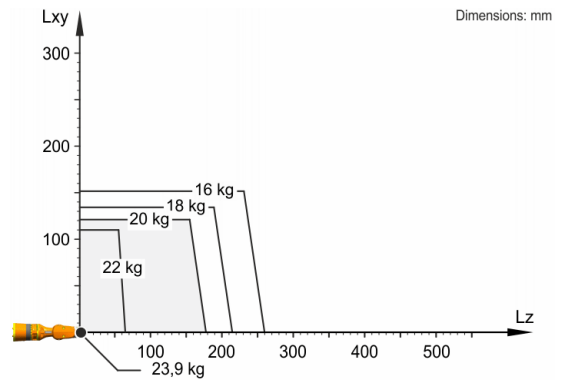
Teach pendant

Teach pendant	KUKA smartPAD
---------------	---------------

Workspace graphic



Payload diagram



The KR 20 R2010 KS-F is designed for a rated payload of 20 kg in order to optimize the dynamic performance of the robot. With reduced load center distances, higher loads up to the maximum payload may be used. The specific load case must be verified using KUKA.Load. For further consultation, please contact KUKA Support.

Mounting flange

