



KR 3 R540



Technical data

Maximum reach	541 mm
Maximum payload	3 kg
Pose repeatability (ISO 9283)	± 0.02 mm
Number of axes	6
Mounting position	Floor; Ceiling; Wall
Footprint	179 mm x 179 mm
Weight	approx. 26.5 kg

Axis data

Motion range	
A1	±170 °
A2	-170 ° / 50 °
A3	-110 ° / 155 °
A4	±175 °
A5	±120 °
A6	±350 °

Operating conditions

Ambient temperature during operation 5 °C to 45 °C (278 K to 318 K)

Protection rating

Protection rating (IEC 60529)	IP40
Protection rating, robot wrist (IEC 60529)	IP40

Controller

Controller	KR C5 micro; KR C4 compact
------------	-------------------------------

Teach pendant

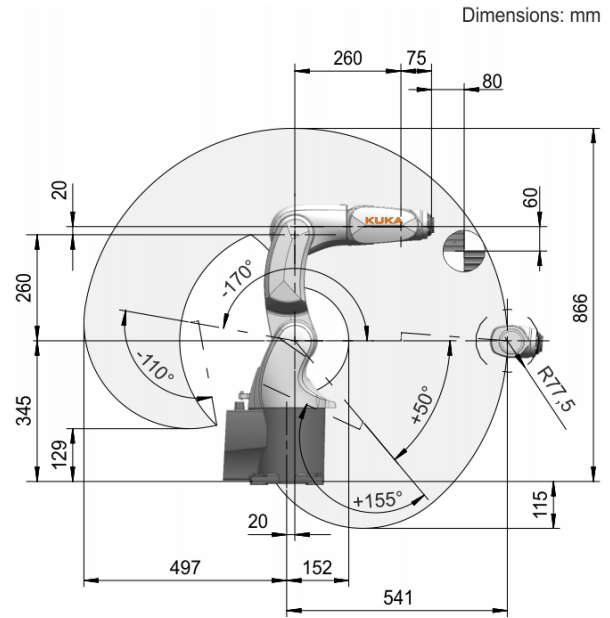
Teach pendant	KUKA smartPAD
---------------	---------------

Cycle time

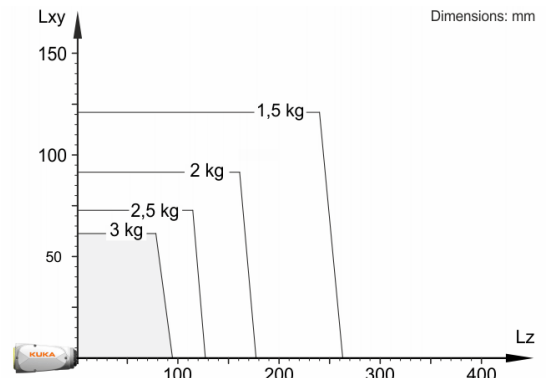
167 cycles per minute (25 mm / 305 mm / 25 mm, 1 kg)



Workspace graphic



Payload diagram



The KR 3 R540 is designed for a rated payload of 2 kg in order to optimize the dynamic performance of the robot. With reduced load center distances, higher loads up to the maximum payload may be used. The specific load case must be verified using KUKA.Load. For further consultation, please contact KUKA Support.

Mounting flange

